

**SULZER**

Massblatt XFP 201G-CB2 Nassinstallation  
 Dimension sheet WET-WELL Installation  
 Dimensioni Installazione sommersa  
 Hoja de dimensiones instalación sumergida  
 Plan d'encombrement Installation noyee

No: AN-M.22.604 - 03  
 Drawn: 05/08/10 D.WheLAN  
 Issue Date: 09/05/2013  
 Änderungen vorbehalten  
 Technical changes reserved  
 Con riserva di modifiche  
 Con reserva de modificaciones  
 Sous réserve de modification

**50 Hz****S.I.**

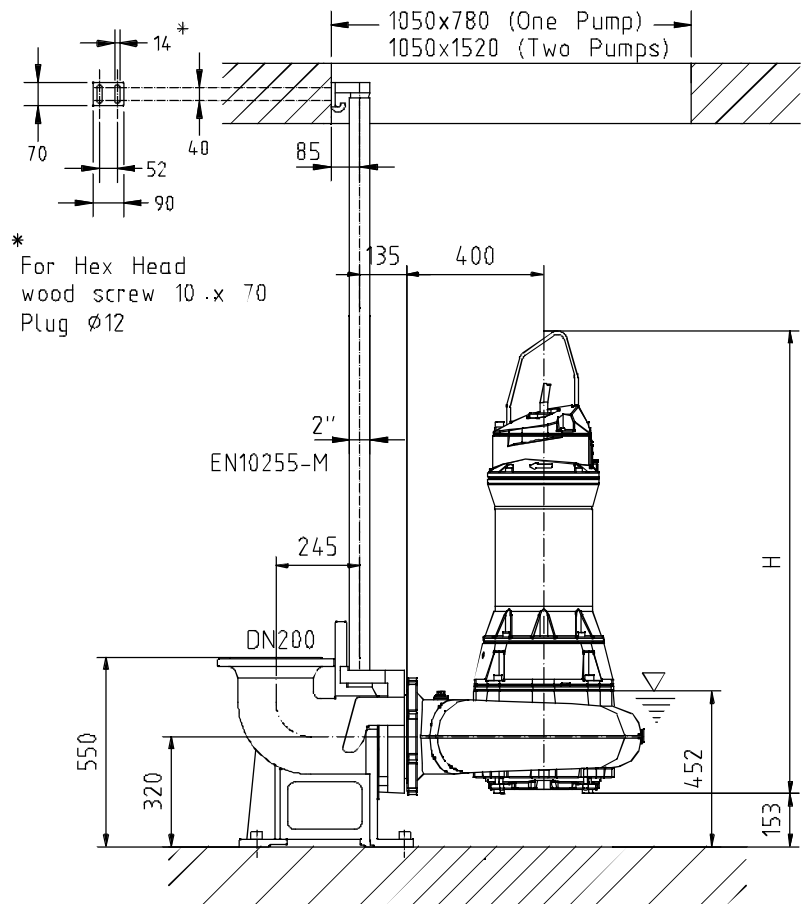
Typ Type Tipo	Gewicht Weight Poids N.C.J. (kg)	Gewicht Weight Poids W.C.J. (kg)	Height H (mm)
PE 90/6	404	454	1348
PE 110/6	404	454	1348
PE 140/6	424	464	1348

min. Schachttöffnung  
 min. Sump opening  
 Dimensioni min. botola  
 min. apertura del pozo  
 Largeur min. du puisard

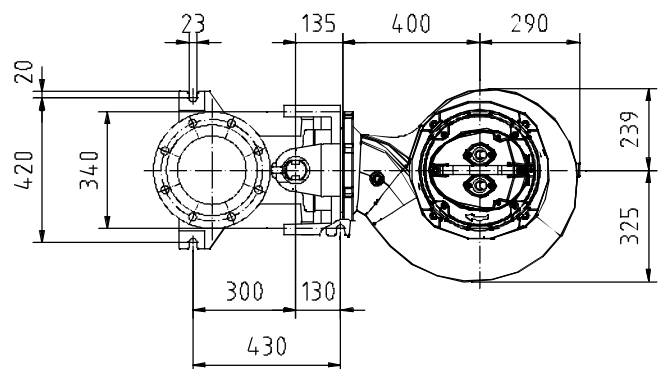
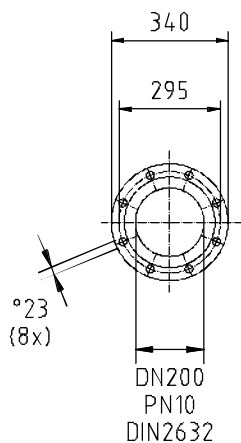
**60 Hz**

Typ Type Tipo	Gewicht Weight Poids N.C.J. (kg)	Gewicht Weight Poids W.C.J. (kg)	Height H (mm)
PE 130/6	410	454	1348
PE 160/6	424	464	1348
PE 200/6	480	524	1388
PE 120/8	420	464	1348

N.C.J. = No Cooling Jacket  
 W.C.J. = With Cooling Jacket



\* For Hex Head  
 wood screw 10 .x 70  
 Plug  $\varnothing$ 12



Gewicht: Beinhaltet Pumpe, Halterung (Fussstück) und Kabel (50 Hz = 10 m; 60 Hz = 15 m)  
 Weight: includes pump, slider bracket and cable (50 Hz = 10 m; 60 Hz = 15 m)  
 Peso: include bomba, pezzo intermedio a cavo (50 Hz = 10 m; 60 Hz = 15 m)  
 Peso: Incluye bomba, soporte deslizante y cable (50 Hz = 10 m; 60 Hz = 15 m)  
 Poids : incluant la pompe, le coulisseau et le câble\* (50 Hz = 10 m; 60 Hz = 15 m)

Guss-Allgemeintoleranzen nach DIN1680 - GTB16  
 General tolerances for castings in acc. to DIN1680-GTB16  
 Tolleranze generali delle fusioni secondo DIN1680-GTB16  
 Tolerancias generales para la fundición seg. de DIN1680-GTB16  
 Tolérance générale de la fonderie selon DIN1680-GTB16

**SULZER**

Massblatt XFP 201G-CB2 Nassinstallation  
 Dimension sheet WET-WELL Installation  
 Dimensioni Installazione sommersa  
 Hoja de dimensiones instalación sumergida  
 Plan d'encombrement Installation noyee

No: AN-M.22.604 - 03  
 Drawn: 05/08/10 D.WheLAN  
 Issue Date: 09/05/2013  
 Änderungen vorbehalten  
 Technical changes reserved  
 Con riserva di modifiche  
 Con reserva de modificaciones  
 Sous réserve de modification

**50 Hz****U.S.**

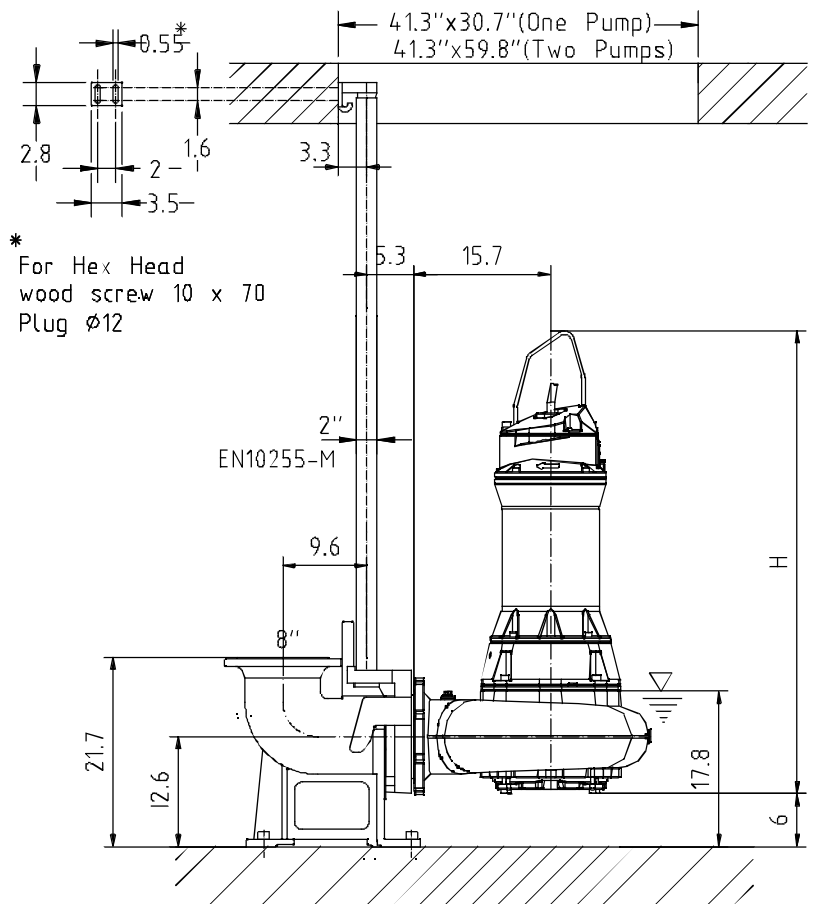
Typ Type Tipo	Gewicht Weight Poids N.C.J. (lbs)	Gewicht Weight Poids W.C.J. (lbs)	Height H (")
PE 90/6	891	1001	53.1
PE 110/6	891	1001	53.1
PE 140/6	935	1023	53.1

min. Schachtöffnung  
 min. Sump opening  
 Dimensioni min. botola  
 min. apertura del pozo  
 Largeur min. du puisard

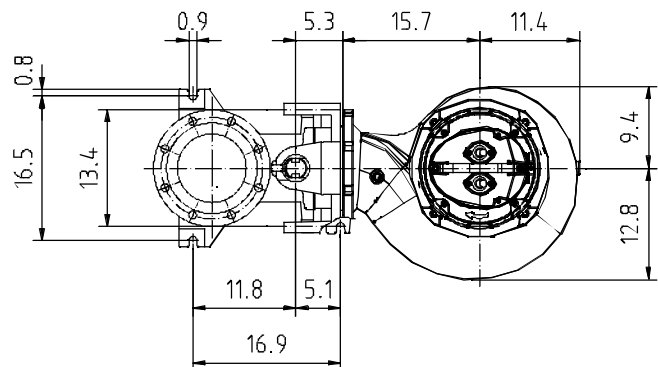
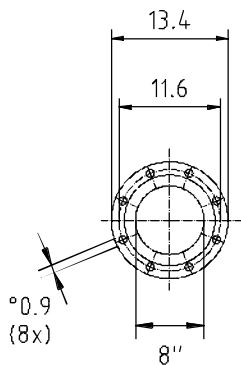
**60 Hz**

Typ Type Tipo	Gewicht Weight Poids N.C.J. (lbs)	Gewicht Weight Poids W.C.J. (lbs)	Height H (")
PE 130/6	904	1001	53.1
PE 160/6	935	1023	53.1
PE 200/6	1058	1156	54.6
PE 120/8	926	1023	53.1

N.C.J. = No Cooling Jacket  
 W.C.J. = With Cooling Jacket



\* For Hex Head  
 wood screw 10 x 70  
 Plug  $\varnothing$ 12



Gewicht: Beinhaltet Pumpe, Halterung (Fussstück) und Kabel (50 Hz = 10 m; 60 Hz = 15 m)  
 Weight: includes pump, slider bracket and cable (50 Hz = 10 m; 60 Hz = 15 m)  
 Peso: include bomba, pezzo intermedio a cavo (50 Hz = 10 m; 60 Hz = 15 m)  
 Peso: Incluye bomba, soporte deslizante y cable (50 Hz = 10 m; 60 Hz = 15 m)  
 Poids : incluant la pompe, le coulisseau et le câble\* (50 Hz = 10 m; 60 Hz = 15 m)

Guss-Allgemeintoleranzen nach DIN1680 - GTB16  
 General tolerances for castings in acc. to DIN1680-GTB16  
 Tolleranze generali delle fusioni secondo DIN1680-GTB16  
 Tolerancias generales para la fundición seg. de DIN1680-GTB16  
 Tolérance générale de la fonderie selon DIN1680-GTB16